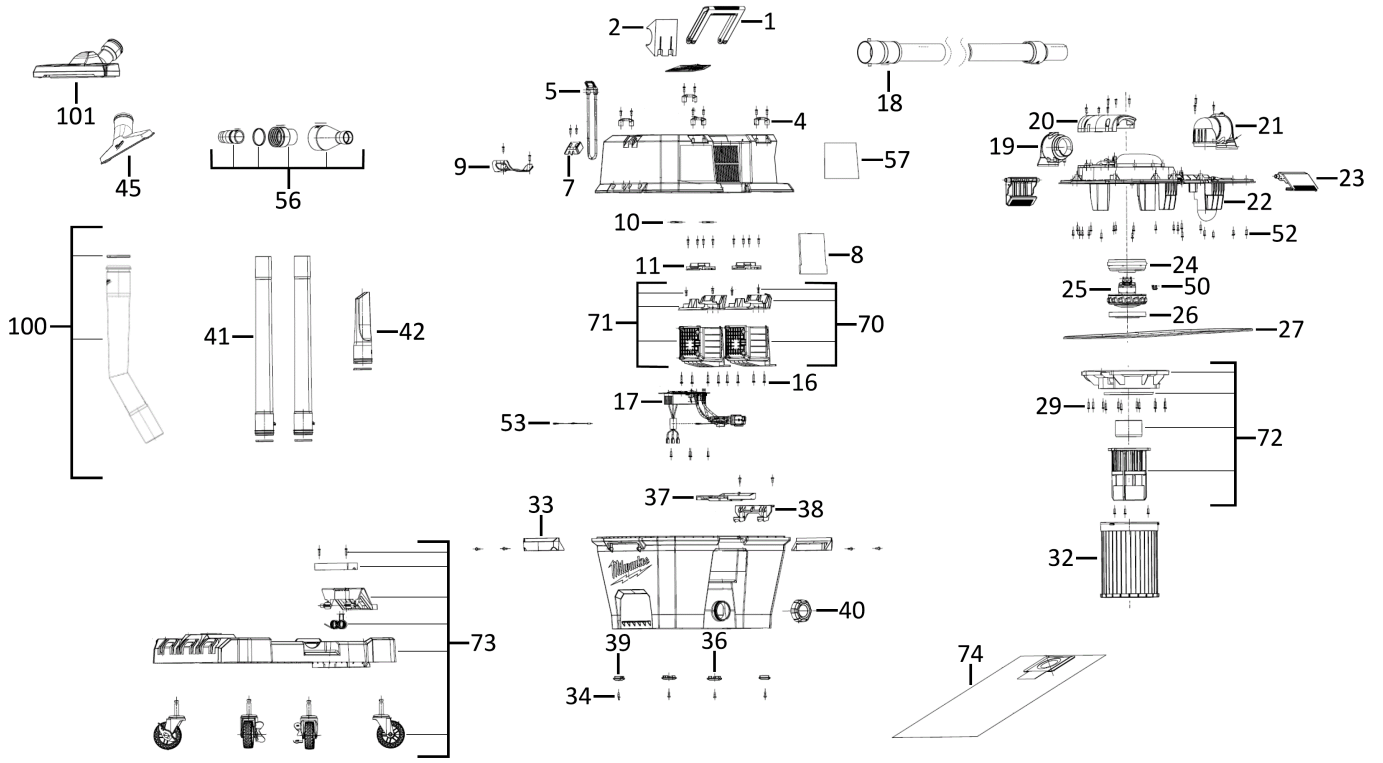


M18F2VC23L-0 VACUUM CLEANER XXX

4933478964 - M18F2VC23L-0 - 4000491085





Position	Quantity	Description	Part number	EAN
0001 1	1	HANDLE	4931495202	4058546488703
0002 2	1	CLIP	4931495203	4058546488710
0004 3	4	HOLDING BRACKET	4931495204	4058546488727
0005 4	1	STRAP	4931495205	4058546488734
0007 5	1	HOLDING BRACKET	4931495206	4058546488741
0008 6	1	FOAM	4931495207	4058546488758
0009 7	1	HOLDING BRACKET	4931495208	4058546488765
0010 8	2	PIN	4931495209	4058546488772
0011 9	2	TERMINAL PLUG	4931495210	4058546488789
0016 10	8	SCREW	4931495211	4058546488796
0017 11	1	ELECTRONIC	4931495212	4058546488802
0018 12	1	HOSE	4931495213	4058546488819
0019 13	1	CONNECTOR	4931495214	4058546488826
0020 14	1	COVER	4931495215	4058546488833
0021 15	1	TUBE	4931495216	4058546488840
0022 16	1	FRAME	4931495217	4058546488857
0023 17	2	HOLDER	4931495218	4058546488864
0024 18	1	ISOLATION	4931495219	4058546488871
0025 19	1	MOTOR	4931495220	4058546488888
0026 20	1	ISOLATION	4931495221	4058546488895
0027 21	1	SEAL	4931495222	4058546488901
0029 22	12	SCREW	4931495223	4058546488918
0032 23	1	Dry HEPA Filter replacement	4932479805	4058546375997
0033 24	2	HANDLE	4931495224	4058546488925
0034 25	10	SCREW	4931495225	4058546488932
0036 26	2	FOOT	4931495226	4058546488949
0037 27	1	HOLDER	4931495227	4058546488956
0038 28	1	SCREW	4931495228	4058546488963
0039 29	2	FOOT	4931495229	4058546488970
0040 30	1	CAP	4931495230	4058546488987
0041 31	2	GUIDE TUBE	4931495231	4058546488994
0042 32	1	CREVICE TOOL	4931495232	4058546489007
0045 33	1	FLOOR TOOL	4931495233	4058546489014
0050 34	1	CLIP	4931495234	4058546489021
0052 35	57	SCREW	4931495235	4058546489038
0053 36	1	STRAP	4931495236	4058546489045
0056 37	1	ADAPTER	4931495237	4058546489052
0057 38	1	RATING PLATE	4931495238	4058546489069
0070 39	1	GUIDE RAIL	4931495239	4058546489076
0071 40	1	GUIDE RAIL	4931495240	4058546489083
0072 41	1	FILTER HOLDER	4931495241	4058546489090
0073 42	1	BRACKET	4931495242	4058546489106
0100 43	1	HANDLE	4931495243	4058546489113
0101 44	1	FLOOR TOOL	4931506246	4058546555603
0074 45	1	Fleece Filter Bag - 5pcs	4932479807	4058546376017